



Putzmeister



Truck-mounted concrete pump 38-5

Maximum flexibility on 3 axles

Extravagant in terms of possibilities – economical when it comes to costs

All benefits in one machine

The journey is the reward. The new 38-5 is as powerful as our large machines and as compact as our smaller machines. On 3 axles it moves surprisingly easy and flexibly through heavy traffic and narrow roads to the operational site. It shows its true strengths on the construction site. With a minimal support area the machine boasts a vertical reach of approximately 38 m, which can be used fully thanks to the 5-arm boom structure in the roll Z-folding.

This allows plenty of scope for your planning. Whether it is in the production hall, under bridges and underpasses or for the construction of multi-storey buildings. The 38-5 is adaptable and does a good job everywhere. It always has the accessories on hand thanks to high weight reserves, meaning you reach the next operational site quickly and economically. It's also low-maintenance, easy to operate, extremely wear-free and low maintenance.



Brand new but proven technology – the 38-5

Everything which has been proven in over 50 years of experience in the design of truck-mounted concrete pumps, and everything that had yet to be optimised, was able to be taken into consideration during the development of the 38-5. We implemented your requests for even more comfort in the operation, profitability in daily use and flexibility in applications. The cherished values like robustness and reliability have been retained. The result is one of the most advanced truck-mounted concrete pumps with astonishing universal applications and an exceptional price-performance ratio.

Your benefits at a glance

- A gross weight of less than 26 t incl. sufficient reserves for payload and operating materials
- Steady 5-arm placing boom thanks to intelligent laying of the delivery line and the balanced development of the steel structure
- Efficient work through consistently clever ergonomic design
- Even better safety through closer consideration for current standards and guidelines
- Service-friendly as a result of its optimised accessibility and consistent bolted concept
- Lower service costs thanks to maintenance-free components, fewer different components (e.g. only 3 standard delivery line bends) and lower volumes of operating materials (oil volume reduced by 30%)

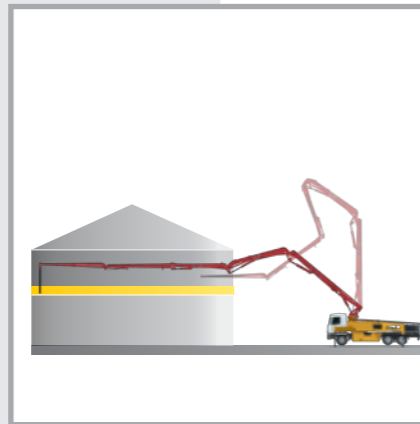
The placing boom

Only shows its true strengths in action

Reaching approximately 38 m with 5 arms

A 38 with 5 arms? This is now no longer a pipe dream. Thanks to the additional hinge not only are the flexibility and versatility in use improved, but also the horizontal reach is increased. For example, when reaching into buildings, the hinge of the fifth boom is crucial to reaching fully into the building interior. The optimised kinematics ensures that the workspace is maximised and there is no "dead space".

The 5-arm placing boom in roll Z-folding is the successful combination of flexibility and compactness, which satisfies all requirements. With an extremely low unfolding height, optimal slip properties and minimal dimensions for the set-up, you have almost unlimited possibilities for use. The advantages of the roll and Z-folding are thus combined in a captivating way.



Surprisingly uncomplicated in maintenance

Your machines work efficiently when they are used at full capacity. This also includes versatile use and optimal availability. The costs for service and maintenance must be kept low. With this in mind, we have once again optimised the new series. Only components with a high wear resistance, as well as maintenance-free components and where possible many standard components were installed. Standard screwed-in pipeline supports save time and money when aligning the delivery line. The good accessibility makes service and repair work easier, quicker and more cost-effective.

The new boom at a glance

- Approx. 38 m vertical reach with 5 arms in roll Z-folding
- No dead space, enhanced flexibility
- Direct response characteristics of boom control
- Safety thanks to reduced boom vibrations
- EBC (optional) for vibration damping, one-handed control, restriction of workspace
- Standard delivery line bends of 90° and 45° with extended collars for longer service life
- Low unfolding height

Simple and safe operation

Also where space is tight, the amazingly direct response characteristics of the optimised boom control and the lightweight design ensure precise and comfortable work. The minimal boom vibrations also in the case of high delivery rates facilitate the placing of the concrete and guarantee a high degree of safety. The elaborate laying of the delivery lines and the balanced development of the steel structure ensure this.

The supplementary equipment EBC (Ergonic® Boom Control), a fully electronic control system for the placing booms, provide even more comfort. The integrated vibration damping eases the burden on operators thanks to constantly smooth guidance of the end hose. The boom can be moved even more smoothly using the joystick in a one-handed operation. The restriction of the workspace or the blocking of arm positions increase the operational reliability.

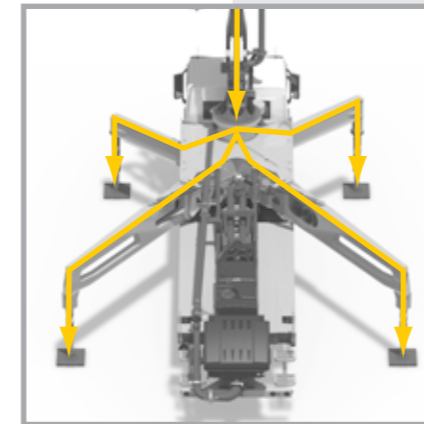


The substructure – with intelligent technology on every construction site



Comfort on 3 axles

Not even stringent licensing requirements can stop the 38-5. Its lightweight design allows additional load capacity for fuel and accessories. The wide platform with anti-slip surface offers sufficient space in this regard. The driving comfort is also impressive. The improved torsion properties in comparison to the fixed frame offer the same elasticity as the chassis frame. Driving thus becomes a pleasure and the service life of the vehicle is extended.



Valuable concepts which save costs

Another benefit of TRDI lies in the force distribution. If the machine is supported correctly, then it stands freely on its legs. Forces are not distributed to the vehicle frame, but are distributed fully over the support legs. The vehicle is protected.

The new I frame and connection concept also ensures a longer service life in comparison to fixed frames. Maintenance-free components, the new comprehensive bolted concept, as well as the consistent use of standard components, make the operating and maintenance costs pleasantly unassuming and easy to calculate.

Stands steady in every location

Quick set-up and also quick dismantling. With the TRDI support developed by Putzmeister you save time and space, without compromising on safety. Construction sites often only offer restricted set-up conditions, because they are located in urban areas or along busy roads. Telescoping support legs can also be securely placed in minimal spaces between obstacles. With the optional One Side Support (OSS)* and ESC (Ergonic® Setup Control)** the noticeably smaller support width of 7.3 m is reduced to 5.9 m or is reduced at the front from 6.3 to 4.3 m. An important side effect: Full use is made of the net horizontal reach for the fully supported side.

* OSS – assistance system for One Side Support, optional.
 ** ESC – safety system for One Side Support (i.a.w. EN 12001:2012).



The new substructure at a glance

- Lightweight design offers high weight reserves
- I frame concept for improved torsion properties and longer service life
- Flexible, space-saving TRDI support system
- Significantly reduced support widths with use of OSS and ESC
- Less obstacles in the surrounding area, such as traffic for example



The concrete pump – clever interaction of all components

Ergonic® 2.0 – designed by operators for operators

High-performance unit for every type of concrete

Concrete pumps from Putzmeister are designed for all common types of concrete with their coordinated geometry. This is thanks to the closed loop of the free flow hydraulics, among other things. This drive transfers more power and saves resources because the oil reaches the cylinder with minimal losses. In connection with the new Putzmeister concept for modern oil management, the oil volume was reduced a full 30 %.

A further success factor is the S-tube point, which has a long service life even with wear-intensive materials, because the S-tube is reinforced with hard layer welding. The service intervals are considerably longer and the availability of the machine is higher than for other systems.

You choose the power

Like with all Putzmeister truck-mounted concrete pumps, with the 38-5 different pumps with 85 bar conveying pressure are available to you: The 16 H with a chromium-plated delivery cylinder (Ø 230 mm), which is cheaper in comparison, and the smoother 16 H LS (Ø 250 mm) with 160 m³/h delivery rate, however, with a lower number of strokes and less wear in the LS version.

Technology for even more potential

Our 38-5 is the first truck-mounted concrete pump with Ergonic 2.0®. Here we have integrated new functions which have been tested and agreed with several operators, as well as optimised menu guidance. It also satisfies all requirements for the new safety regulations.

And there is not much to learn for the operation. The new Ergonic 2.0 radio remote control system offers all the usual functions for displays and settings, as well as our tried-and-tested error management. The operation of the main functions remains unchanged.



Optimal coordination thanks to EPS

The computer-based control of the pump via EPS (Ergonic® Pump System) ensures a better performance. EPS controls the pumping process using computers, so that it is smoother overall and the boom vibrations are reduced.

Besides EPS, EOC (Ergonic® Output Control) is an effective module to work efficiently and save. Because EOC controls the engine speed with lower fuel consumption, wear and noise. Unfavourable areas are automatically avoided.

The same applies to the so-called SN control and Push Over. They ensure that concrete columns are pushed very gently and wear-intensive pressure peaks are avoided.



The new radio remote control system – 2.0

The extremely robust radio remote control system is considerably lighter in the hand, owing not only to its reduced weight, but also the well thought-out ergonomic design. All displays can be optimally read on the larger, high-resolution colour screen.

A battery with a longer life and minimal self-discharge supplies the remote control with energy for a really long work day. Alternatively the remote control can be operated using a cable and supplied with current.

With Ergonomic 2.0 specific machine settings are transferred easily using a chip card. The radio remote control system can therefore be used for other Putzmeister truck-mounted concrete pumps by replacing the chip, irrespective of the number of arms of the placing boom.

The new on-site control – sheds light on the issue

The electronics were encapsulated in order to brave adverse environment conditions.

The electronics are leak-proof and robust enough for tough everyday use on the construction site. The buttons of the status display have symbols and LED backlighting.

The pump at a glance

- Pump geometry is optimally coordinated to all common types of concrete
- Service-friendly control system with free flow hydraulics and thus consistently high oil quality
- Particularly wear-resistant design of S-tube switch, which guarantees long service life
- Optimised hopper (bolted grille, improved shape and optimised S-tube storage)
- Agitator safety shutdown via RFID (Radio Frequency Identification), a detection system with help of electromagnetic waves, including start-up protection
- Smooth, optimised pumping with EPS and EOC, protects the pump and the vehicle
- Optimised switchover with SN control and Push Over avoids wear-intensive pressure peaks
- Comfortable operation with display and radio remote control system
- Lower operating costs thanks to maintenance-free components, avoidance of special components and good accessibility
- Improved replacement of components with bolted concept

With the Putzmeister 38-5 we offer you a machine which already boasts an extremely comprehensive range of equipment as standard. With the diverse optional equipment, you can adapt your range of services to the needs and requirements of your customers.

Supplied as standard	Optional
Ergonic® 2.0 (EPS, EOC and EGD-RC with fault management)	Vibrator can be positioned as required thanks to the bolted grille
Hopper centralized lubrication system	OSS (One Side Support) and ESC
Radio remote control system with display and additional cable remote control	Wide range of lighting systems
Rotatable 45° delivery line bend with long collars	Bypass filter for even better oil quality
Spacious platform	EBC (Ergonic® Boom Control)
Water tank with 800 l	Compressor
Connections for emergency supply	Ergonomic work platform
Agitator safety shutdown via RFID with start-up protection	
Chromium-plated delivery cylinder	

And much more ...



Water tank

Service

- Service points in over 150 countries across the globe
- 24-hour emergency service in Germany
- Tested original parts with warranty and a 24-hour delivery service
- Status and diagnosis data via Ergonic® Tele Service (ETS) with transfer to separate workshop or Putzmeister service partner
- Manufacturer's inspection in accordance with the requirements of the VDMA (German Engineering Federation)
- Individual training courses and seminars in the Putzmeister Academy
- Competent advice and planning support for large projects, e.g. for concreting logistics, concreting processes and concreting technology by Putzmeister project engineers of CPD (Concrete Project Division)

If you have any further questions we are happy to answer them:

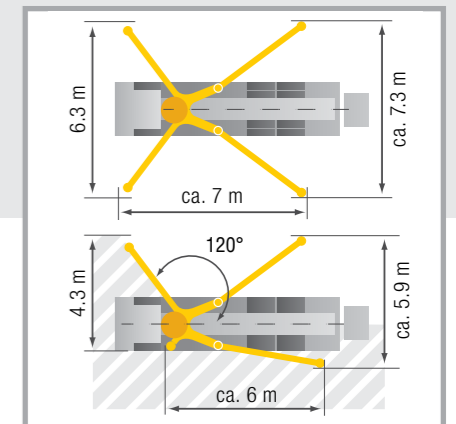
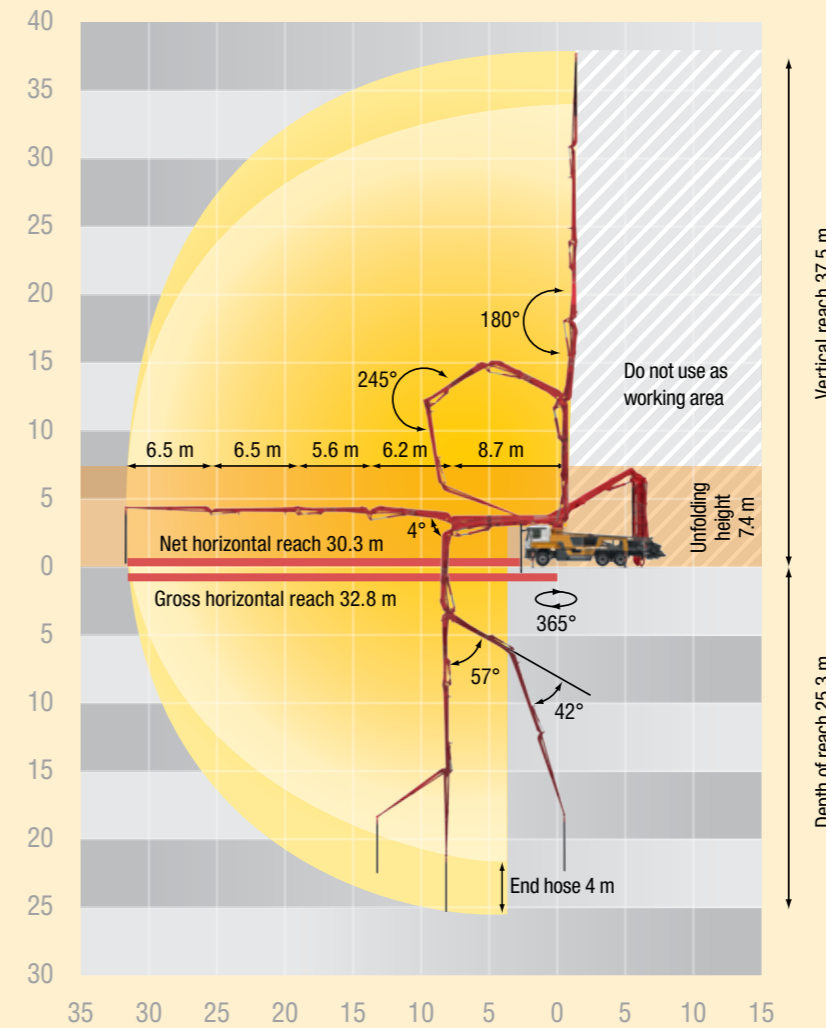
spareparts@pmw.de
(for questions on spare parts)
services@pmw.de
(for technical questions)

Technical data – Placing boom

Folding type	5-arm roll Z-folding (RZ)
Vertical reach	37.5 m
Horizontal reach	32.8 m (gross)
Depth of reach	25.3 m
Unfolding height	7.4 m
End hose length	4 m
Delivery lines	DN 125, max. 85 bar
Slewing circle	365°

Technical data – General

Support width	front / rear
normal	6.3 m / approx. 7.3 m
OSS**	4.3 m / approx. 5.9 m
Overall length	approx. 10.7 m*
Height	under 4.0 m



Technical data – Pumps

Type	Delivery rate m³/h	Pressure bar	Stroke mm	Cylinder Ø mm	Strokes/min
16 H	160	85	2100	230	31
16 H LS	160	85	2100	250	26

All data represent theoretical maximum values.

* Dimensions and weight may vary depending on set-up and equipment.

** OSS (One Side Support) – assistance system for One Side Support. Availability depends on machine model.

The 38-5 at a glance

- A gross weight of less than 26 t incl. sufficient reserves for payload and operating materials
- Smooth 5-arm placing boom thanks to intelligent laying of the delivery line and the balanced development of the steel structure
- Efficient work through consistently clever ergonomic design
- Even better safety through closer consideration for current standards and guidelines
- Service-friendly as a result of its optimised accessibility and consistent bolted concept
- Lower service costs thanks to maintenance-free components, fewer different components (e.g. only 3 standard delivery line bends) and lower volumes of operating materials (oil volume reduced by 30%)



Note: The diagrams in the brochure do not necessarily correspond to the scope of standard equipment for the machines.
Further brochures: Ergonic® CT 4691



Putzmeister Concrete Pumps GmbH

Max-Eyth-Straße 10 · 72631 Aichtal / Germany
P.O.Box 2152 · 72629 Aichtal / Germany
Tel. +49 (7127) 599-0 · Fax +49 (7127) 599-520
pmw@pmw.de · www.putzmeister.com

