

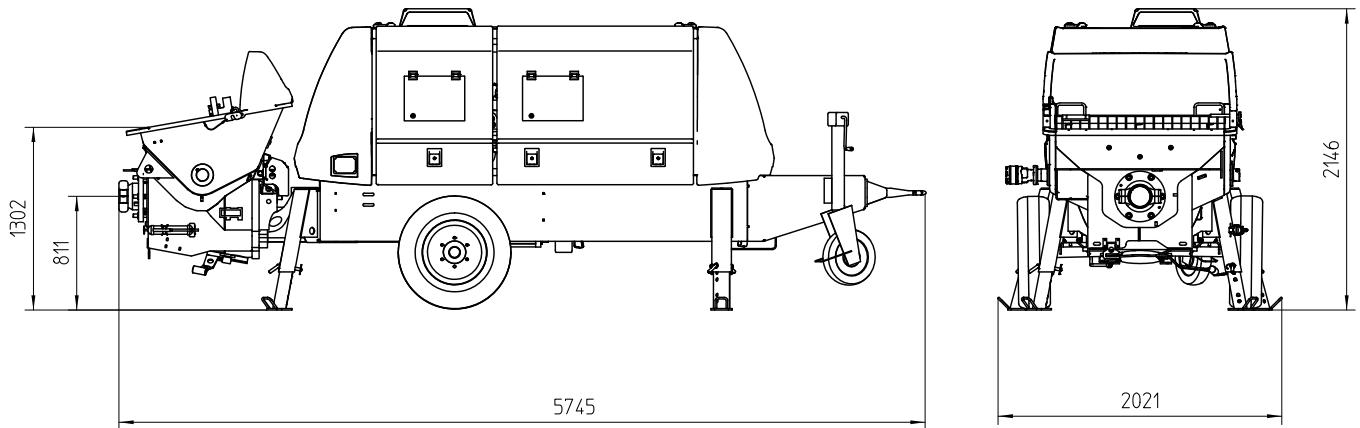
Putzmeister

Stationary concrete pump

BSA 1405 E

BSA 1408 E

Output up to 79 m³/h
Delivery pressure up to 106 bar



Note: Standard version. Dimensions and weights depend on equipment. Subject to technical modifications and errors.

Technical data

Model		BSA 1405 E	BSA 1408 E
Material number		102390.000	102403.000
Output	m ³ /h	55 / 37 *	79 / 53 *
Delivery pressure	bar	71 / 106 *	
Delivery cylinder	Ø mm	200	
Delivery cyl. stroke	mm	1400	
Strokes / minute		21 / 14 *	30 / 20 *
Engine / motor power	kW	75	110
Hopper		RS 909	
Capacity	l	approx. 600	
Filling height	m	approx. 1.3	
Transfer tube		S 2015 D	
Line connection	mm	SK 125	
Pressure connection	"	5.5	
Control system		EPS FFH	
Weight	kg	4600	

* Values for hydraulic fluid being fed to piston-side
All data maximum theoretical

Serial equipment

Agitator safety switch off	Flushing water pump 50 l/min 20 bar
Cable remote control 10 m	Gate valve connection
Central lubrication on hopper with hand lever press	Grill 70 mm
Cleaning accessories	Operating manuals (1× paper, 1× CD-ROM) spare part list
Coloring: Pump, frame, roof, tank and hood anthracite-grey Cover chrome yellow	Outriggers 4× mech.
Concrete hopper with agitator	Pump flow meter (BSA 1408 E)
Concrete output adjust (BSA 1408 E)	Splash guard
Concrete pressure adjust (BSA 1408 E)	Support wheel
Coupling ring (DIN)	Tool set incl. standard equipment
Drive electric 110 kW (BSA 1408 E)	Trailer F8, travelling in site
Drive electric 75 kW (BSA 1405 E)	
Electronic error management	
Ergonic Graphic Display (EGD)	

See quotation for exact serial delivery scope.
Comprehensive range of options available on request.