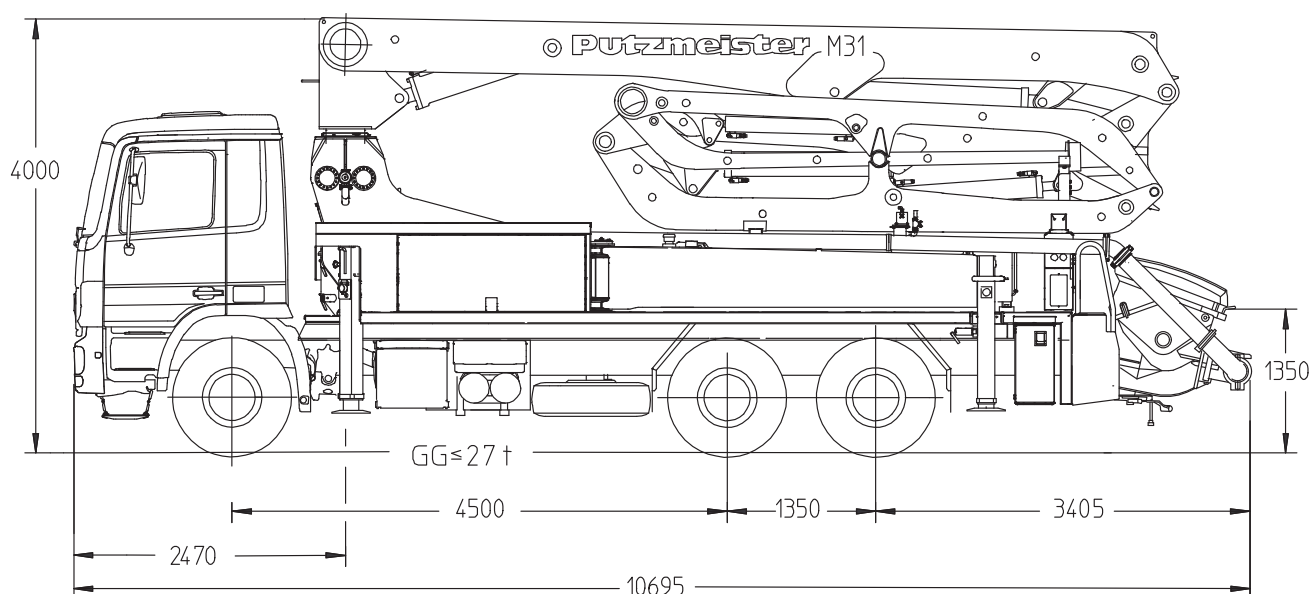


Truck-mounted concrete pump

BSF 31-5.14 H

Output up to 160 m³/h
Delivery pressure up to 130 bar*



Note: Standard version. Dimensions and weights depend on truck and pump model.
Dimensions in mm, MB-Actros 2636 as example

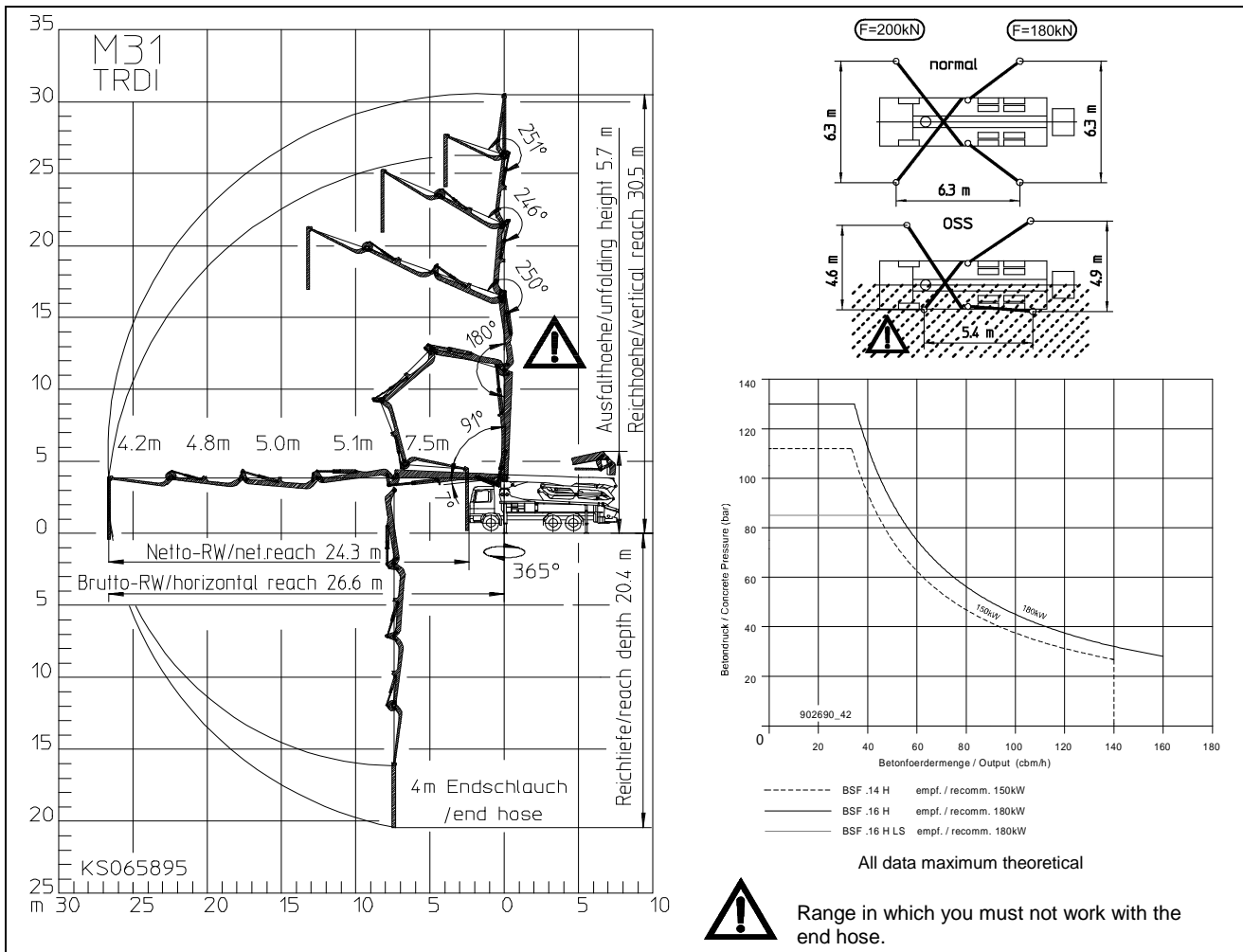
Technical Data

Boom M 31-5			
Sections			5
Reach height	m		30.5
Horizontal reach	gross	m	26.6
	net	m	24.3
Reach depth max.	m		20.4
Unfolding height	m		5.7
End hose length	m		4
Folding system			ZR
Delivery line			DN 125

Pump		BSF	.14 H	.16 H	.16H LS
Rod side	Output	m ³ /h	140	160	-
	Delivery pressure	bar	70	85	-
	Strokes	1/min.	27	31	-
Piston side	Output	m ³ /h	88	108	160
	Delivery pressure	bar	112	130	85
	Strokes	1/min.	17	21	26
	Delivery cylinder	∅ mm	230	230	250
	Stroke	mm	2100	2100	2100

*) Delivery line boom max. 85 bar.
All data maximum theoretical.

Reach information diagram, Support, Performance diagram



Serial delivery scope

agitator and water pump radio remote/on site controlled

boom pedestal TRDI

boom rear light 24 V

cardan shaft maintenance free

central lubrication strip hopper

chassis horn via remote control on hopper

concrete hopper RS 900 with agitator

connections for hydraulic emergency supply

C pipe connection for filling water tank

delivery cylinder chrome plated

delivery line (1-layer) PM40, arm assembly

delivery piston "compact" (14 H, 16 H), „single“ (16 H LS)

diagnose interface

end hose 4,0 m DN 125 5,5"

Ergonic Graphic Display (EGD) with machine fault management

Ergonic Pump System (EPS) incl. Ergonic Output Control (EOC)

flushing water pump 160 l/min 25 bar

hand working search light lighting hopper, detachable

hydraulic hose for replacement in hose pack

operating manuals 2xcert.(1xpaper, 1xCD-ROM) spare part list

painting: pump MB 1227 chrome yellow

painting:arm assembly RAL 3020 signalred

platform non-skid

pump on/off dependent on speed

radio remote control proportional with display

remote control with 40m cable, without display

rubber collar on hopper

single piston

spectacle wear plate DURO 22

splash guard foldable

spray hose 10 m incl. bracket

S-transfer tube switchover fast/slow

support plates (4x) in magazine (2x) open

tool box integrated

Tool set incl. standard equipment

towing eye

water supply, hopper (1/2")

water tank 610 l

See quotation for exact serial delivery scope.

Comprehensive range of options available on request.