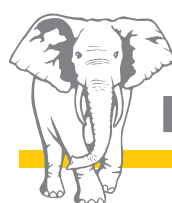


Rotary distributors

Economic and a spatial miracle



Putzmeister

The extended arm of concrete distribution

Rotary distributors fit precisely in places where others have to adapt

Because of its perfection, the circle was the focus of attention in Greek antiquity. The fascinating thing about it was, and is, that all points on its plane are the same distance from its centre. It is precisely this characteristic that makes using rotary distributors in concrete placement so effective. They can be turned through 360 degrees, in this way; they arrive at their maximum reach.

Rotary distributors are a very cost-effective alternative to truck-mounted concrete pumps, stationary booms or delivery lines, when it comes to distributing concrete over a wide range. Alternatively they are used in combination with placing systems in order to extend their areas of application. This is especially the case, since they are easy to relocate by crane once concreting a particular area is finished.

Moreover, their reach of up to 22 m is not noticed until they are set up, because during transport they are extremely modest when it comes to space requirement and weight. For this reason they are very generous in terms of the variety of products, so that you have many models available to you which outdo all others in terms of their degree of efficiency and longevity. With all these advantages, rotary distributors are the first choice when other options reach their technical or economic limits.





Sophisticated design – marvellously compact, rapid shortening

We have designed our product range to meet your demands: From the compact, hand-held additional unit, which consists of just a hinge and two delivery line bends, to rotary distributors with a reach of up to 15 m, which can effortlessly concrete an area of up to 700 m², and hydraulically slewable rotary distributors, used mainly in precasting works.

When conditions get tight, the direct response characteristics and low weight ensure precise and comfortable working, whether in manual operation or with the support of a hydraulic drive.

A further advantage is that it is uncomplicated to transport: The RV 0 or RV 7, for example, can be transported very easily using a trailer or even on larger truck-mounted concrete pumps, thanks to its small dimensions and low weight. The design of models RV 10, RV 12/13 and RV 15 is so compact that they can be transported easily to the construction site using a truck or trailer, using a minimum of space. On the construction site itself, using a construction crane will increase the working area.

All this is available in tried and tested Putzmeister quality: robust, practical, low-wear and low-maintenance.

Everything revolves around your applications



A summary of possible applications

- **Concreting large areas and floors that can no longer be reached or fully covered by a truck-mounted concrete pump**
- **Concreting floors and pillars where using placing booms would be too costly**
- **Manufacture of precast concrete parts**
- **On tunnel construction sites**

Rotary distributors are real all-rounders

The many different options for combining a stationary concrete pump with a wide range of outputs, and for combining rotary distributors with different reaches ensure an optimized process in many areas. Take the Belgian precasting works Eloy et Fies, for example. By means of well-considered planning and largely automated production, this Belgian manufacturer of prefabricated concrete parts has been able to rationalize and expand production. The use of rotary distributors has proved itself worthwhile in the best way possible. Devices with a reach of 13 m and two horizontally slewable pipe hangers allow several types of filling in one operation, without the need for conversion.

Another example is the construction of the Zhuhai Tunnel in China where rotary distributors, which are fitted to the tunnel formwork using lifting gear, are currently proving useful. However, the machinery can also be put to use just as economically in sewage treatment plants for example, or on various types of construction site worldwide, where rotary distributors are also used as a flexible supplement to the truck-mounted concrete pump placing booms.

Equipment features for a wide output range

- **If lifting gear is used**, rotary distributors are very well suited to concreting in tunnels, for example
- **If fitted to a rail-guided frame**, rotary distributors are ideal for use in precasting works
- **The lift function** of the RV 12 makes it possible to reach surfaces for concreting that are up to 4.0 m higher
- **Screw-on feet** raise the RV 13 and RV 12 Lift by 0.5 m (optional)
- **As an accessories kit**, the RV 7 can be conveniently transported with a truck-mounted concrete pump
- **Reducer pipe, 5.5" to 4.5", 1000 mm long** for adapting to delivery lines, available as an option (no illustration)
- **Hydraulic operation** possible
- **Delivery line with two-layer lines** available (no illustration)
- **Hose slide** for the delivery feed pipe (no illustration)
- **PVC hose** 2.0 m, SK 100/4.5, available for RV 12 Lift (no illustration)



An offer with no corners or edges

RV 0

Delivery line pipe nominal diameter 100 diameter
 Transport measurements in m 0.8 × 0.5
 Weight (without concrete) 68 kg

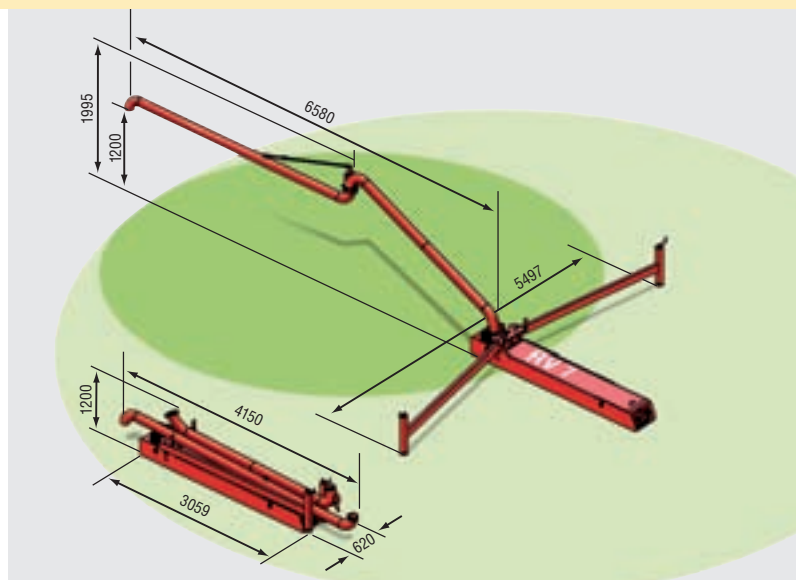
- Compact, hand-held additional unit for spreading concrete
- Ideal for tight spaces on the construction site
- Adjustable base frame with a hinge made of 2 delivery line bends
- Can be equipped with delivery line bends of many of the usual line diameters and coupling sizes
- The slewing circle is unrestricted



RV 7

Delivery line pipe nominal diameter 125 diameter
 Arms 2
 Reach in m 6,6
 Concreting area in m² 132
 Transport measurements in m 4.2 × 0.6 × 0.8
 Weight (without concrete) 610 kg

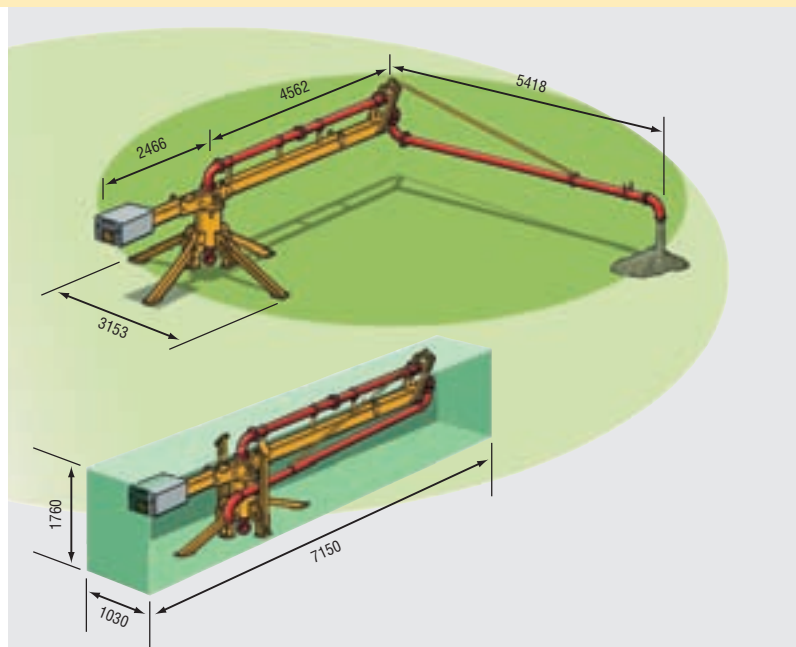
- Small, flexible piece of equipment
- Easy to transport, thanks to its compact dimensions and low weight
- Transport by trailer or on larger truck-mounted concrete pumps (fits exactly into the bracket for 3 m pipes, which is present on the support feet of many machines)
- Can be made ready for use quickly (can be set up by 2 people within 10 minutes)



RV 10

Delivery line pipe nominal diameter 124 diameter
 Arms 2
 Reach in m 10
 Concreting area in m² 320
 Transport measurements in m 7.1 × 1.0 × 1.8
 Weight (without concrete) 1020 kg

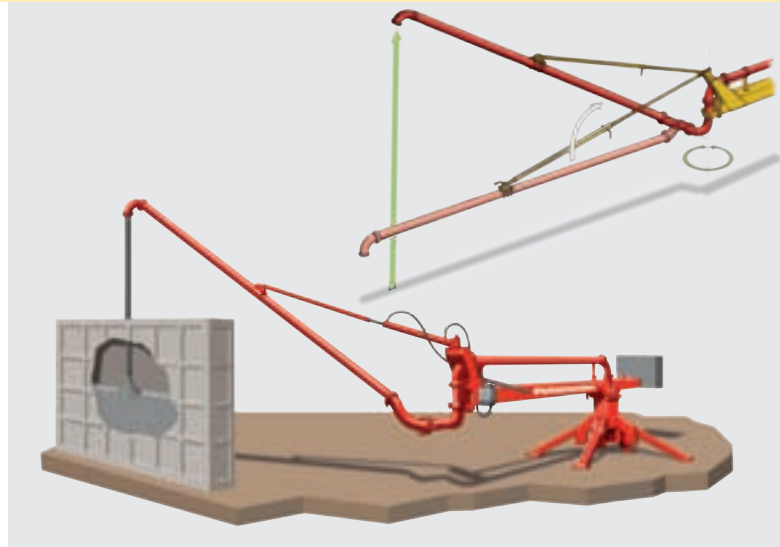
- Ideal for large areas and floors
- Large areas of up to 320 m² can be concreted from one fixed location
- If the rotary distributor is moved using a construction crane, concrete areas of practically any size can be made ready for building
- In transport position, the dimensions enable easy transport to the various construction sites by truck or on a trailer, using a minimum of space



RV 12 Lift

Delivery line pipe nominal diameter	100* / 125 diameter
Arms	2
Reach in m	12
Concreting area in m ²	450
Transport measurements in m	9.1 × 1.3 × 1.8
Weight (without concrete)	2600 kg

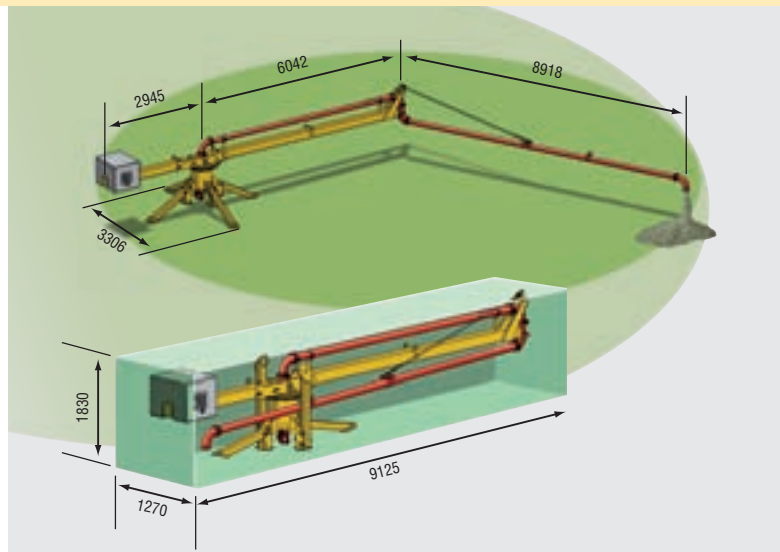
- The RV 12 Lift can reach areas for concreting and pillars that are up to 4.0 m higher (to adjust the height, the last arm can be raised with a hydraulic hand pump)
- Height to be increased by 0.5 m using bolt-on feet (optional)



RV 13

Delivery line pipe nominal diameter	100/125* diameter
Arms	2
Reach in m	13
Concreting area in m ²	500
Transport measurements in m	9.1 × 1.3 × 1.8
Weight (without concrete)	2600 kg

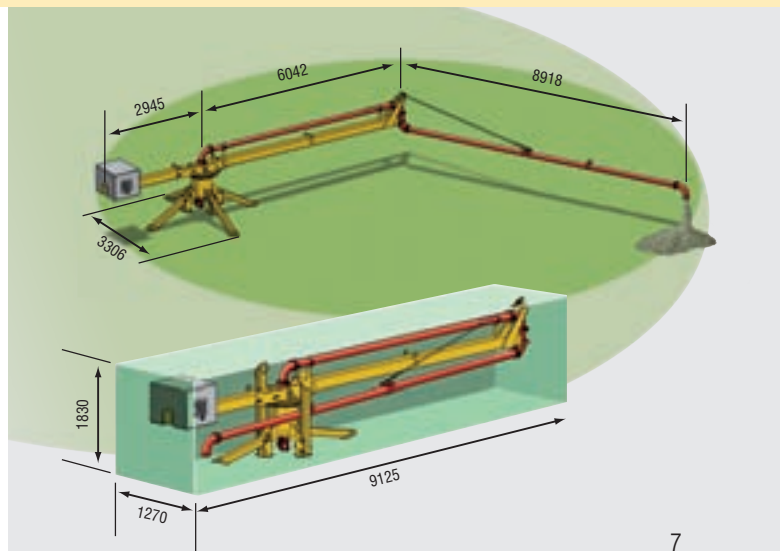
- Areas of up to 500 m² can be concreted from one fixed point
- Height to be increased by 0.5 m using bolt-on feet (optional)



RV 15

Delivery line pipe nominal diameter	100 diameter
Arms	2
Reach in m	15
Concreting area in m ²	700
Transport measurements in m	9.1 × 1.3 × 1.8
Weight (without concrete)	2700 kg

- Areas of up to 700 m² can be concreted from one fixed point



* as standard

Rotary distributors at a glance

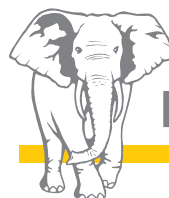
- **Concreting large areas and floors** that can no longer be reached or fully covered by a truck-mounted concrete pump
- **Can be used when manufacturing prefabricated concrete parts**
- **Used in tunnel construction sites**
- **Comfortable handling**
- **Uncomplicated transport**
- **Quick set-up**
- **Practical, optional accessories**
- **Low-maintenance and easy to service**



Further brochures: Ergonic® BP 3763
Stationary concrete pumps BP 2632
Delivery line systems PM 2300

Putzmeister Concrete Pumps GmbH

Max-Eyth-Straße 10 · 72631 Aichtal
Postfach 2152 · 72629 Aichtal
Tel. +49 (7127) 599-0 · Fax +49 (7127) 599-520
pmw@pmw.de · www.putzmeister.com



Putzmeister

