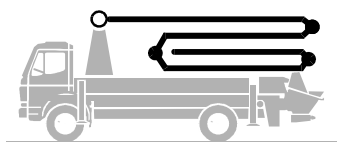


## Truck-mounted concrete pump

## BSF 24-4.09 H

Output up to 160 m<sup>3</sup>/h

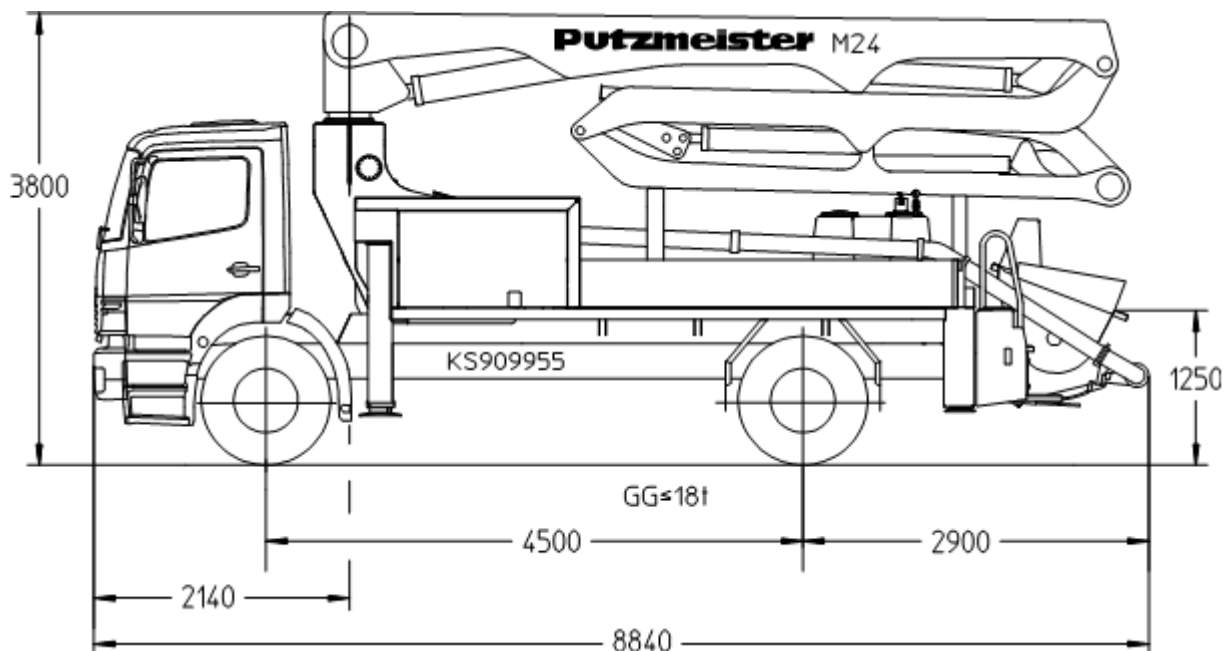
Delivery pressure up to 130\*



.11 H

.11 H LS

.16 H



Note: Standard version for .09 H and .11 H (LS). Dimensions and weights depend on truck, pump model and equipment. Dimensions in mm, MB-Axor 1828 as example.

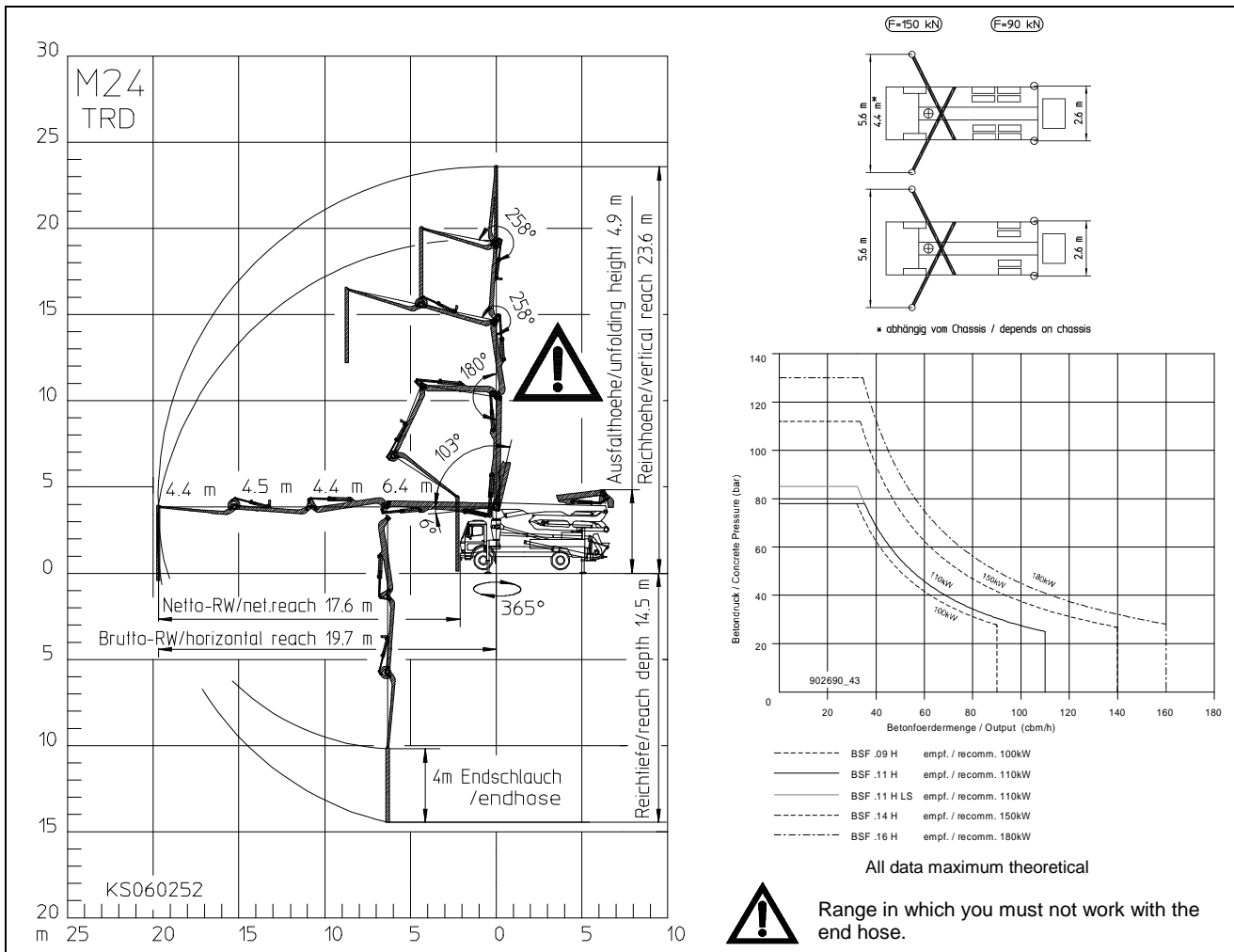
\* For .14 H and .16 H a 3-axle truck is required, gross weight > 18 t.

### Technical Data

Boom M 24-4		Pump		BSF	.09 H	.11 H	.11 H LS	.16 H
Sections	4	Rod side	Output	m <sup>3</sup> /h	-	-	-	160
Reach height	m 23.6		Delivery pressure	bar	-	-	-	85
Horizontal gross reach	m 19.7		Strokes	1/min.	-	-	-	31
	net m 17.6	Piston side	Output	m <sup>3</sup> /h	90	110	110	108
Reach depth max.	m 14.5		Delivery pressure	bar	78	78	85	130
Unfolding height	m 4.9		Strokes	1/min.	26	32	27	21
End hose length	m 4		Delivery cylinder	∅ mm	230	230	250	230
Folding system	ZR		Stroke	mm	1400	1400	1400	2100
Delivery line	DN 125							

\*) Delivery line boom max. 85 bar.  
All data maximum theoretical.

## Reach information diagram, Support, Performance diagram



### Serial delivery scope

agitator and water pump radio remote/on site controlled

boom pedestal TRD

boom rear light 24 V

cardan shaft maintenance free

central lubrication strip hopper

chassis horn via remote control on hopper

concrete hopper RS 900 with agitator

connections for hydraulic emergency supply

C-pipe connection for filling water tank

delivery cylinder chrome-plated

delivery line (1-layer) PM40, arm assembly

delivery piston "compact" (9 H, 11 H, 14 H, 16 H), „single“ (11 H LS)

diagnose interface

end hose 4,0 m DN 125 5,5"

Ergonic Graphic Display (EGD) with machine fault management

Ergonic Pump System (EPS) incl. Ergonic Output Control (EOC)

flushing water pump 160 l/min 25 bar

hand working search light lighting hopper, detachable

hydraulic hose for replacement in hose pack

operating manuals 2xcert.(1xpaper, 1xCD-ROM) spare part list

painting: pump MB 1227 chrome yellow

painting:arm assembly RAL 3020 signalred

platform non-skid

pump on/off dependent on speed

radio remote control proportional with display

remote control with 25m cable, without display

rubber collar on hopper

side panel left foldable

side panel right foldable

single piston

spectacle wear plate DURO 22

splash guard fixed

spray hose 10 m incl. bracket

S-transfer tube switchover fast/slow

support plates (4x) in magazine (2x) open

Tool set incl. standard equipment

towing eye

water supply, hopper (1/2")

water tank 880 / 610 l, depends on chassis

See quotation for exact serial delivery scope.

Comprehensive range of options available on request.